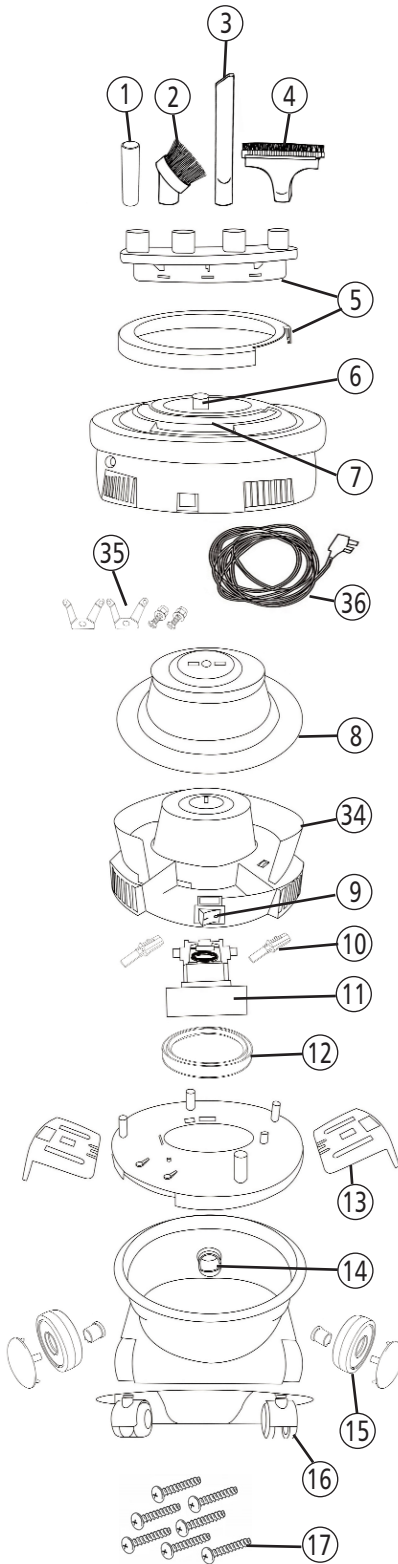


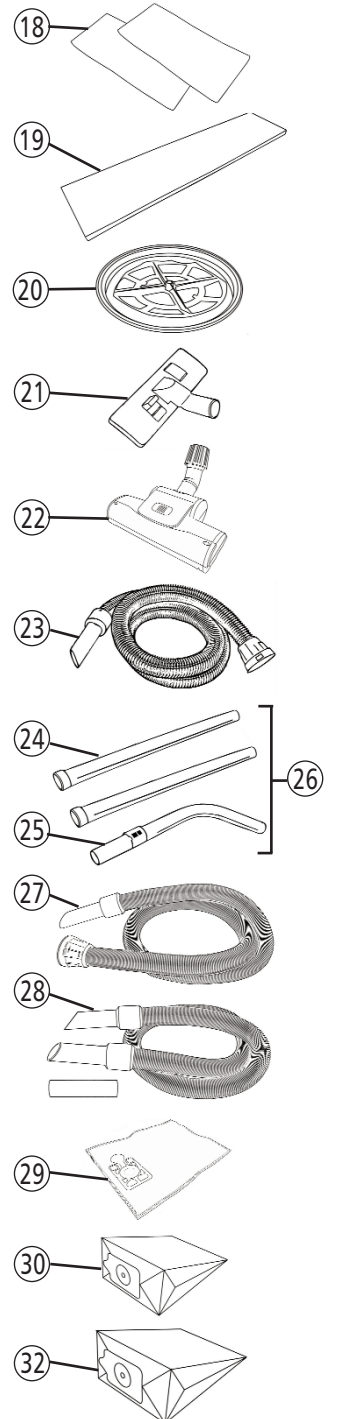


QuickClean™ EQUIPMENT

AS200B PARTS BREAKDOWN



- | | | |
|----|------------|--|
| 1 | HE94 | Tool Adaptor |
| 2 | TLS89 | Dusting Brush |
| 3 | TLS116 | Crevice Tool |
| 4 | TLS115 | AP Nozzle |
| 5 | MIS220 | Tool Holder and Rim |
| 6 | MIS221 | Rewind Knob |
| 7 | HAN38 | Handle |
| 8 | MIS210 | Rewind Body |
| 9 | SW80 | Switch |
| 10 | CAR104 | Carbon Brushes and Holder (Pair) |
| 11 | MTR263 | Motor |
| 12 | MIS211 | Motor Support |
| 13 | MIS214 | Tank Clips (1 Set) |
| 14 | MIS213 | Bag Connector |
| 15 | WHE22 | Rear Wheel |
| 16 | WHE21 | Castor |
| 17 | MIS212 | Screw Set (Pack of 7) |
| 18 | FIL321 | Exhaust Filter (2) |
| 19 | FIL299 | Motor Soundproofing |
| 20 | FIL151 | Filter |
| 21 | TLS148LONG | Floor Tool |
| 22 | TLS174 | OPTION Air Driven Turbo Floor Tool |
| 23 | HSE79 | Hose 2.5m 32mm |
| 24 | HE44 | Chrome Extension Tube 32mm |
| 25 | HE45 | Chrome Bent End 32mm |
| 26 | HE44HE45 | Extension Tubes (2) and Bent End |
| 27 | HSE130 | OPTION Extendible Hose Complete 9mtr |
| 28 | HSE131 | OPTION Extendible Hose Extension 6mtr |
| 29 | SDB373 | OPTION Microfibre Bags x 10 |
| 30 | SDB48 | STANDARD Paper Bags x 10 |
| 31 | YYY432 | OPTION Paper Bags x 10 |
| 32 | SDB140 | OPTION Large Paper Bags x 10 |
| 33 | YYY714 | OPTION Large Paper Bags x 10 |
| 34 | MIS234 | Motor Housing Cap |
| 35 | MIS185 | Contact Kit |
| 36 | FLX53 | Flex |



QUALTEX  **Tel: (01795) 596750**

Fax: (01795) 596751 Email: technical@qualtexse.co.uk www.qualtexuk.com